

MAGNUS



MG S - RECTANGULAR COMPACT HOUSING

MAIN FEATURES

Compact and robust thermoplastic enclosure (PBT):
 22 mm fixing
 IP67 rating
 Operating temperature -25 to +75°C
 Coded magnetic operation – Tamper resistant
 Switching distance: 3 - 10 mm
 Sensor with 4 wires: 2 NO contacts
 M8 4-pole connector

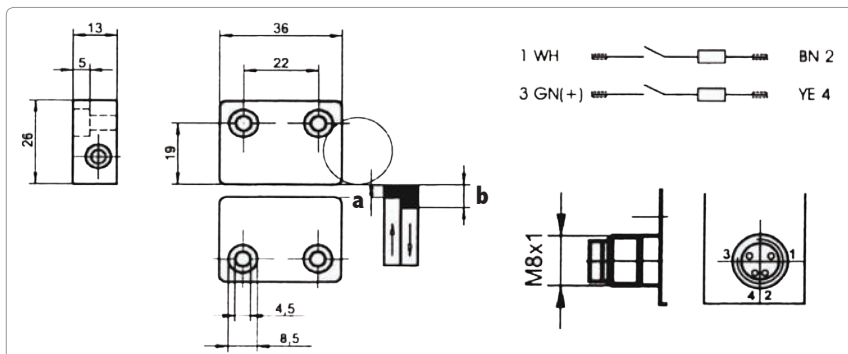
Can be connected to Mosaic safety configurable controller (PL e) or to the dedicated safety control unit MG d1 (PL d).

MG S switches connected to Mosaic safety controller form a certified PL e safety system.



TECHNICAL FEATURES

| | |
|-----------------------------------|--|
| Model | MG S 20 |
| Ordering code | 1291000 |
| Safety Level | PL e together with Mosaic - Up to PL d together with MG d1 |
| Operating voltage (VDC) | 24 |
| Switching current (mA) | max. 100 |
| Series resistance (Ohm) | 22 |
| Switching power (W) | 3 |
| Shock resistance (Hz/g) | 10 - 2000/35 |
| Protection rating | IP 67 |
| Temperature range (°C) | - 25 ... + 75 |
| Housing material | PBT |
| Possible actuation magnets | MG S M to be ordered separately (code 1291001) |



Gaps (operating distance) for safe switching function in mm:

| | | |
|------------|-----|----------|
| MIN | 0,5 | - |
| ON | 3 | a |
| OFF | 10 | b |

MIN = minimum gap



ORDERING INFORMATION

Each MG B safety magnetic switch includes:

Multi-language operating instructions complete with CE declaration of conformity.

MG B - RECTANGULAR HOUSING

MAIN FEATURES

Robust thermoplastic enclosure:
 78 mm fixing
 IP67 rating
 Operating temperature -25 to +75°C
 Coded magnetic operation – Tamper resistant
 Switching distance: 4 - 16 mm; 7 - 18 mm with magnet MG B M+
 Sensor with 4 wires: 2 NO contacts
 M8 4-pole connector

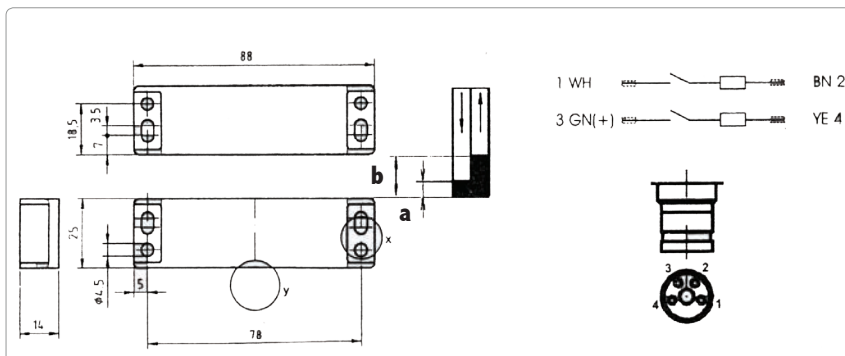
Can be connected to Mosaic safety configurable controller (PL e) or to the dedicated safety control unit MG d1 (PL d).

MG B switches connected to Mosaic safety controller form a certified PL e safety system.



TECHNICAL FEATURES

| | |
|---|--|
| Model | MG B 20 |
| Ordering code | 1291010 |
| Safety Level | PL e together with Mosaic - Up to PL d together with MG d1 |
| Operating voltage (VDC) | 24 |
| Switching current (mA) | max. 100 |
| Series resistance (Ohm) | 22 |
| Switching power (W) | 3 |
| Shock resistance (Hz/g) | 10 - 2000/35 |
| Protection rating | IP 67 |
| Temperature range (°C) | - 25 ... + 75 |
| Housing material | PBT |
| Possible actuation magnets | MG B M to be ordered separately (code 1291011) |
| Possible actuation reinforced magnets (only use reinforced actuation magnets if a gap of more than 4 mm is unavoidable) | MG B M+ to be ordered separately (code 1291012) |



Gaps (operating distance) for safe switching function in mm:

| | | | |
|------------|---------------|-----|----------|
| MIN | normal | 0,5 | |
| | with + magnet | 3 | |
| ON | normal | 4 | a |
| | with + magnet | 7 | a |
| OFF | normal | 16 | b |
| | with + magnet | 18 | b |

+ = reinforced MIN. = minimum gap



ORDERING INFORMATION

Each MG B safety magnetic switch includes:

Multi-language operating instructions complete with CE declaration of conformity

MG M - M30 HOUSING

MAIN FEATURES

Robust cylindrical thermoplastic enclosure:
 30mm diameter
 IP67 rating
 Operating temperature -25 to +75°C
 Coded magnetic operation – Tamper resistant
 Switching distance: 4 - 16 mm; 7 - 20 mm with magnet MG M M+
 Sensor with 4 wires: 2 NO contacts
 M8 4-pole connector

Can be connected to Mosaic safety configurable controller (PL e) or to the dedicated safety control unit MG d1 (PL d).

MG M switches connected to Mosaic safety controller form a certified PL e safety system.

MG M M
MG M M+



MG M 20

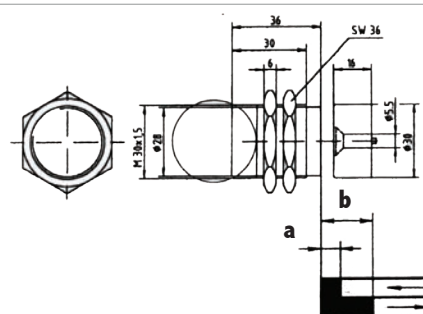
TECHNICAL FEATURES

| | |
|---|--|
| Model | MG M 30 |
| Ordering code | 1291020 |
| Safety Level | PL e together with Mosaic - Up to PL d together with MG d1 |
| Operating voltage (VDC) | 24 |
| Switching current (mA) | max. 100 |
| Series resistance (Ohm) | 22 |
| Switching power (W) | 3 |
| Shock resistance (Hz/g) | 10 - 2000/35 |
| Protection rating | IP 67 |
| Temperature range (°C) | -25 ... +75 |
| Housing material | PBT |
| Possible actuation magnets | MG M M (code: 1291021) |
| Possible actuation reinforced magnets (only use reinforced actuation magnets if a gap of more than 4 mm is unavoidable) | MG M M+ (code: codice 1291022) |

Gaps (operating distance) for safe switching function in mm:

| MIN | normal | 0,5 | |
|-----|---------------|-----|----------|
| | with + magnet | 3 | |
| ON | normal | 4 | a |
| | with + magnet | 7 | |
| OFF | normal | 16 | b |
| | with + magnet | 20 | |

+ = reinforced MIN. = minimum gap



1 WH 3 GN(+)

BN 2 YE 4



ORDERING INFORMATION

Each MG M safety magnetic switch includes:

Multi-language operating instructions complete with CE declaration of conformity

CONNECTORS FOR MAGNUS

The following connectors are available for Magnus magnetic safety switches

| Model | Code | Description |
|--------|---------|--|
| C8 G3 | 1291070 | M8 straight connector, 4-pole, 3 m cable |
| C8 G93 | 1291071 | M8 angled 90° connector, 4-pole, 3 m cable |
| C8 G5 | 1291072 | M8 straight connector, 4-pole, 5 m cable |
| C8 G95 | 1291073 | M8 angled 90° connector, 4-pole, 5 m cable |



Magnus magnetic switches together with Mosaic comprise a PLe certified system according to ISO 13849-1.

Certified by



► See page 165



Magnus magnetic switches together with the MG d1 control unit comprise a PL d certified system according to ISO 13849-1.

Certified by



► See page 189